

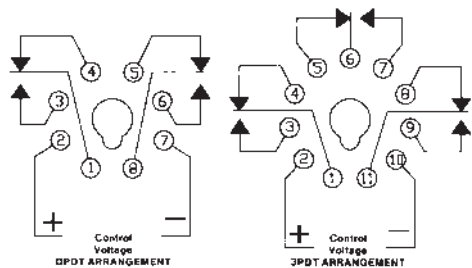


Medium Power Plug-In Relays

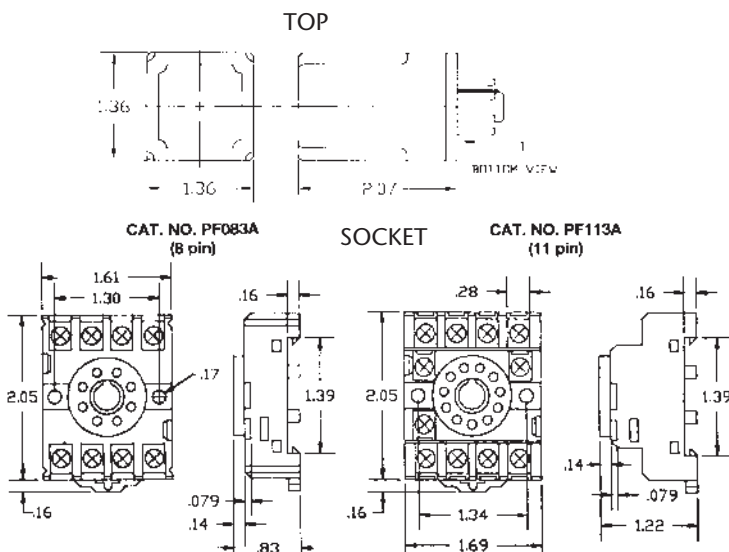
SPECIFICATIONS		
CONTROL VOLTAGE	12 to 240 VAC	
	12 to 110 VDC, See Table 1	
PICK UP VOLTAGE	AC Coils	80% of Nominal
	DC Coils	80% of Nominal
DROP OUT VOLTAGE	AC Coils	30% of Nominal
	DC Coils	10% of Nominal
MAXIMUM VOLTAGE	110% of Nominal	
RESPONSE TIMES	Pick-up	30 mSEC, maximum
	Drop-out	20 mSEC, maximum
TEMPERATURE RATING	Operate	-10°C to +40°C
	Storage	-45°C to +85°C
POWER (NOMINAL VOLTAGE)	AC Coils	2.1 VA
	DC Coils	1.2 Watts
DUTY CYCLE	Continuous	
INSULATION RESISTANCE	100 Meg ohms, minimum	
DIELECTRIC STRENGTH	1500 VAC, 50/60 Hz. for 1 minute	
CONTACT MATERIAL	Silver cadmium oxide	
CONTACT ARRANGEMENTS	DPDT	8-Pin plug in
	3PDT	11-Pin plug in
OUTPUT RATINGS	See Table 2	
AGENCY APPROVALS	Consult factory	
WEIGHT	3 oz.	

- Low Cost
- Rugged Design
- 10 Amp Output
- High Reliability
- 8 pin or 11 pin Track Mountable Plug-in base
- DPDT & 3PDT Arrangements
- 12, 24, 120, & 240 volts operation

WIRING



DIMENSIONS (INCHES)



COIL RATINGS (TABLE 1)

Nominal Voltage	Rated current (mA)		Coil resistance (ohms)
	50 Hz	60 Hz	
AC	12	199	168
	24	99	84
	120	20.5	17.5
	240	10.2	8.8
DC	12	100	120
	24	51	472
	110	11.5	10,000

OUTPUT CONTACT RATINGS (TABLE 2)

Specifications	Resistive load (p.f. = 1)	Inductive load (p.f. = 0.4; L/R = 7msec)
Rated load	230 VAC 10A 28 VDC 10A	230 VAC 6A 28 VDC 7.5A
Carry current	10A	
Max. operating voltage	250 VAC 250 VDC	
Max. operating current	10A	
Max. switching capacity	2300VA 280W	1400VA 210W
Minimum permissible load	5 VDC 100mA	

MODEL NUMBER >>>>>>	CAA			X
Coil Voltage				
	12 Volts	12		
	24 Volts	24		
	110 Volts	110		
	120 Volts	120		
	240 Volts (AC only)	240		
Type of Voltage				
	AC	A		
	DC	D		
Contact Arrangement				
	DPDT	D		
	3PDT	T		
Example: KAA-120-ADX				